

GV-CR420 4MP H.264 Camera Reader



Introduction

All-in-One Solution

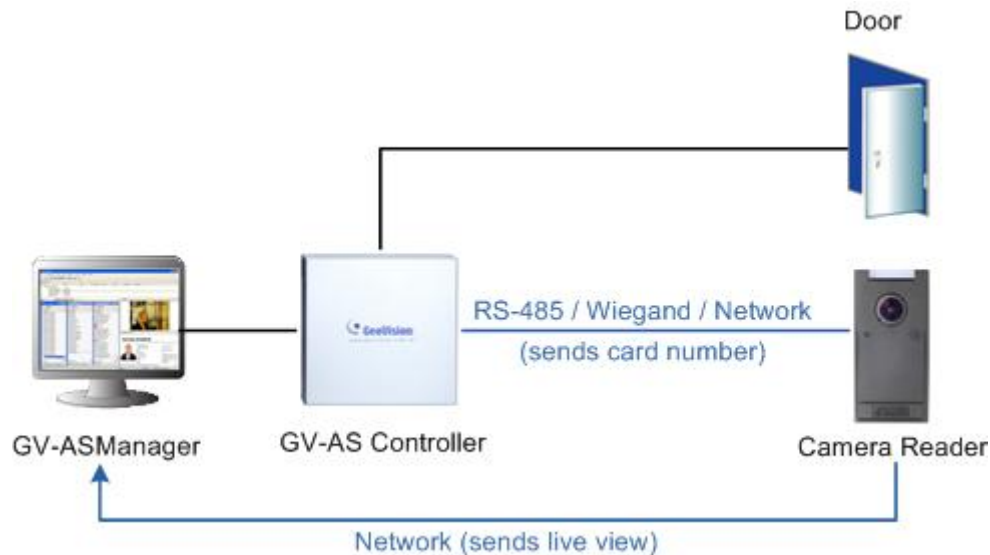
GV-CR420 is a card reader with a built-in 4 MP wide angle IP camera. The card reader recognizes identification cards and grants access accordingly. The wide angle camera captures all angles of the entrance and transmits live view to GV-ASManager and GV-System through network connection. The all-in-one solution eliminates the need of installing and maintaining a separate camera in addition to the card reader.

Card and Face Mode

In addition to granting access after a card is presented, the integration of card reader and wide angle camera allows you to enable the Card and Face Mode, where the camera reader needs to be able to both recognize the card and detect a face before access is granted.

Web Interface

Using a browser, you can watch live view and utilize functions such as motion detection, privacy mask and alert notifications through the Web interface.



Compatible GV-AS Controllers

- GV-AS100 / 110 / 120 / ASBox / ASNet: Firmware version 1.05 or later
- GV-AS210: Firmware version 1.1.0 or later
- GV-AS400: Firmware version 1.04 or later
- GV-AS810: Firmware version 1.1.0 or later

Note: Card and Face Mode by schedule and receiving card numbers through network connection are only supported in the following firmware versions:

- GV-AS100 / 110 / 120 / ASBox / ASNet: Firmware version 1.06 or later
- GV-AS210: Firmware version 1.1.0 or later
- GV-AS400: Firmware version 1.04 or later
- GV-AS810: Firmware version 1.1.0 or later

KEY FEATURES

Camera

- Wide angle IP camera with 4 MP progressive scan CMOS
- Stream 1 from H.264 and MJPEG; Stream 2 from H.264 and MJPEG
- Up to 15 fps at 2048 x 1944
- Built-in Web server for monitoring through Internet Explorer web browser
- Built-in microphone and speaker
- Wide Dynamic Reader (WDR)
- Defog
- Privacy mask to cover parts of the image that should not be viewable
- Tampering alarm
- Text overlay
- 28 languages on web interface
- ONVIF conformant

Reader

- GV-AS Controller connection through Wiegand interface, RS-485 interface and network
- 13.56 MHz for ISO14443A (Mifare DESFire, Mifare Plus and Mifare Classic)
- Access by card plus face detection

Access Control

- Enabling different access control modes according to the Authentication Schedule: Card only mode (default), Card and Face Mode
- Receiving live view and capturing snapshots when card is presented

SPECIFICATIONS

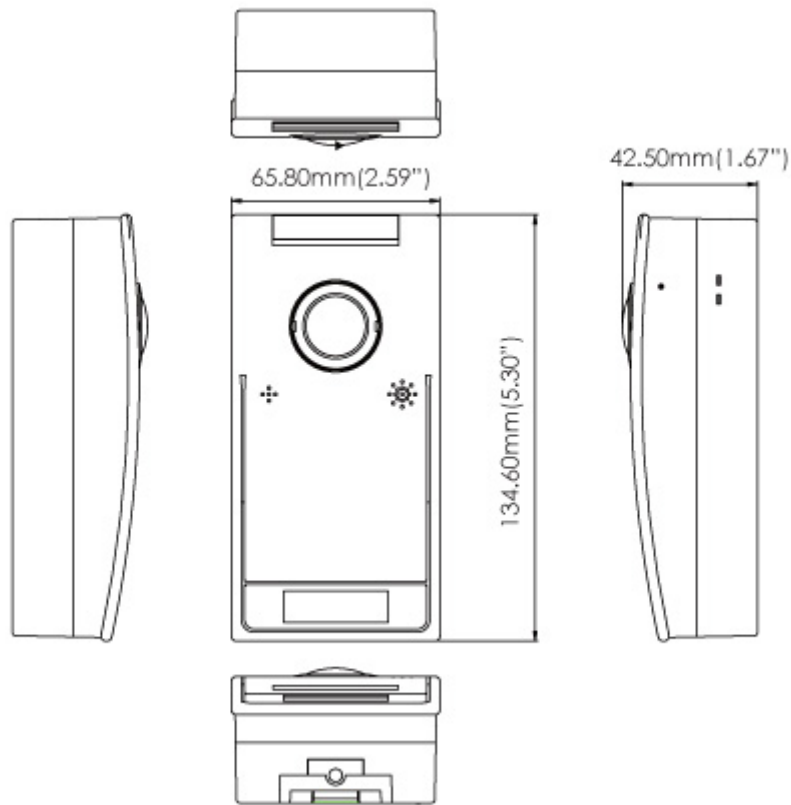
Camera		
Image Sensor		1/2.5" progressive scan CMOS
Picture Elements		2048 (H) x 1944 (V)
Minimum Illumination	Color	4 Lux (1/30 sec), 2 Lux (1/5 sec)
	B/W	
Minimum Illumination for Face Detection		41-50 Lux
Shutter Speed		Automatic, Manual (1/5 ~ 1/8000 sec)
White Balance		Automatic, Manual (2800K ~ 8500K)
Optics Lens		
Megapixel		Yes
Day / Night function		Yes (Electronic)
Lens Type		Fixed
Iris		Fixed Iris
Focal Length		1.05 mm
Maximum Aperture		F/2.8
Mount		M12, Pitch 0.5 mm
Image Format		1/2"
Operation	Focus	None
	Zoom	None
	Iris	Fixed
Operation		
Video Compression		H.264, MJPEG
Video Streaming		Stream 1 and 2 from H.264 and MJPEG
Video Resolution		2048 x 1944
Frame Rate		15 fps at 2048 x 1944 * The frame rate and performance may vary depending on the number of connections and data bitrates (different scenes).
Image Setting		Brightness, Contrast, Sharpness, Saturation, Gamma, White Balance, Flicker-less, Backlight Compensation, Image Orientation, Shutter Speed, Day / Night, WDR, Defog
Audio Compression		G.711

Network		
Interface	10/100 Ethernet	
Protocol	HTTP, HTTPS, TCP, UDP, SMTP, FTP, DHCP, NTP, UPnP, DynDNS, RTSP, PSIA, SNMP, QoS (DSCP) , ONVIF	
Mechanical		
Lens Mounting	M12, Pitch 0.5 mm (0.02")	
Connectors	Power	2-pin terminal block
	Ethernet	Ethernet (10/100 Base-T), RJ-45 Connector
	RS-485	2-pin terminal block
	Wiegand	2-pin terminal block
	Audio	Built-in microphone and speaker
Reader		
CPU	8-bit RISC microprocessor	
Frequency	13.56 MHz for ISO14443A (Mifare DESFire, Mifare Plus and Mifare Classic)	
Wiegand Interface	Wiegand 26 bit, distance 30 m (98.43 ft)	
RS-485	9,600 bps, connect up to 8 GV-CR420 units	
LED	Red, Green and Blue LED	
Beeper	Buzzer	
General		
Operating Temperature	0°C ~ 40 °C (32 °F ~ 104 °F)	
Humidity	10% to 90% (no condensation)	
Power Source	12V DC, 0.35A	
Maximum Power Consumption	15 W	
Regulatory	CE, FCC, C-Tick, RoHS compliant	
Dimension	134.6 x 42.5 x 65.8 mm (5.3 x 1.7 x 2.6 in)	
Weight	170 g (0.374 lb)	
Web Interface		
Installation Management	Web-based configuration	
Maintenance	Firmware upgrade through Web Browser or Utility	
Access from Web Browser	Camera live view, video recording, change video quality, bandwidth control, image snapshot, audio, picture in picture, picture and picture, motion detection, privacy mask, tampering alarm, text overlay	
Language	Bulgarian / Czech / Danish / Dutch / English / French / German / / Greek / Hebrew / Hungarian / Italian / Indonesian / Japanese / Norwegian / Lithuanian / Persian / Polish / Portuguese / Romanian / Russian / Serbian / Simplified Chinese / Slovakian / Slovenian / Spanish / Thai / Traditional Chinese / Turkish	
Applications		
Network Storage	GV-NVR, GV-System, GV-Recording Server	
Mobile Phone support	GV-Eye / GV-Eye HD for iPhone, iPod Touch and iPad, GV-Eye for Android	
Live Viewing	IE, GV-Multi View	
CMS Server Support	GV-Control Center, GV-Center V2, GV-VSM	
The number of GV-CR420 supported by GV-AS Controllers		
GV-AS Controller Model	GV-R1352 Interface	
	Wiegand	RS-485
GV-AS100	1	1
GV-AS110 / GV-AS120	1	Not supported
GV-AS100 / GV-AS110 / GV-AS120 with GV-ASBox	2	4
GV-AS100 / GV-AS110 / GV-AS120 with GV-ASNet	Not supported	2
GV-AS210	4	8
GV-AS400	8	8
GV-AS810	8	8

Note:

1. To support face detection function, avoid placing the camera reader where the light source is directly behind the subject.
2. All specifications are subject to change without notice

Dimension



Packing List

- GV-CR420 x 1
- Mounting Plate x 1
- Standard Screw x 2
- Plastic Screw Anchor x 2
- Security Screw x 1
- Torx Wrench x 1
- DC 12V Power Adapter x 1
- Software DVD x 1
- Quick Start Guide x 1

Accessories

Name	Details
	13.56MHz, Mifare
GV-AS ID Card & GV-AS ID Tag	