

GV-EFD2100 Series 2MP H.264 Low Lux WDR IR Mini Fixed IP Dome



- 1/2.8" progressive scan low lux CMOS
- Dual streams from H.264 and MJPEG
- Up to 25 fps at 1920 x 1080
- Intelligent IR
- Day and Night function (with removable IR-cut filter)
- 2-axis mechanism (pan / tilt)
- Built-in microphone
- Wide Dynamic Range (WDR)
- Defog
- Motion detection
- Tampering alarm
- Text overlay
- Privacy mask
- IP address filtering
- DC 12V / PoE
- Megapixel lens
- Supports iPhone, iPad, Android & 3GPP
- 31 languages on Web interface
- ONVIF (Profile S) conformant

Introduction

The Target Mini Fixed Dome is an indoor, fixed, mini-sized network camera equipped with an automatic IR-cut filter and IR LEDs for day and night surveillance. Adjustable in 2 axis (pan and tilt), it offers an entry-level surveillance solution with all the essential features and excellent image quality.

Models

Model	Iris	Focal Length (mm)	Maximum Aperture	Image Format
GV-EFD1100-0F	Fixed	2.8	F/2.0	1/2.7"
GV-EFD1100-2F	Fixed	3.8	F/1.8	1/2.7"

Active Tampering Alarm

Tampered



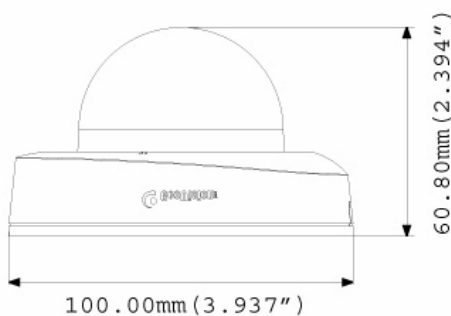
Focus Change



Camera Shift



Dimensions



Specifications

Camera		GV-EFD2100-0F	GV-EFD2100-2F
Image Sensor		1/2.8" progressive scan low lux CMOS	
Picture Elements		1920 (H) x 1080 (V)	
Minimum Illumination	Color	0.07 Lux	
	B/W	0.04 Lux	
	IR ON	0 Lux	
Shutter Speed		Automatic, Manual (1/5 ~ 1/8000 sec.)	
White Balance		Automatic, Manual (2800K ~ 8500K)	
Gain Control		Automatic	
S/N Ratio		48 dB	
WDR		Yes	
Dynamic Range		Up to 72 dB	
Lens			
Megapixel		Yes	
Day/Night		Yes (with removable IR-cut filter)	
Focal Length		2.8 mm	3.8 mm
Lens Type		Fixed	
Maximum Aperture		F/2.0	F/1.8
Mount		M12, Pitch 0.5 mm	
Horizontal FOV		99°	72°
Image Format		1/2.7"	
Operation	Focus	Fixed	
	Zoom	Fixed	
	Iris	Fixed	
IR LED Quantity		12 IR LEDs	
Max. IR Distance		15 m (50 ft)	
Operation			
Video Compression		H.264, MJPEG	
Video Streaming		Dual streams from H.264 and MJPEG	
Frame Rate		25 fps at 1920 x 1080 * The frame rate and the performance may vary depending on the number of connections and data bitrates (different scenes).	
Image Setting		Brightness, Contrast, Saturation, Sharpness, Gamma, White Balance, Flicker-less, Image Orientation, Shutter Speed, D/N Sensitivity, Backlight Compensation, WDR, Defog	
Audio Compression		G.711, AAC (Optional)	
Audio Support		One-way Audio	
Video Resolution			
Main Stream	4:3	1280 x 960, 640 x 480, 320 x 240	
	16:9	1920 x 1080, 1280 x 720, 640 x 360, 448 x 252	
	5:4	1280 x 1024, 640 x 512, 320 x 256	
Sub Stream	4:3	640 x 480, 320 x 240	
	16:9	640 x 360, 448 x 252	
	5:4	640 x 512, 320 x 256	
Network			
Interface		10/100 Ethernet	
Ethernet Protocol		DHCP, DynDNS, FTP, HTTP, HTTPS, NTP, ONVIF (Profile S), QoS (DSCP), RTSP, SNMP, SMTP, TCP, UDP, UPnP, 3GPP/ISMA	
Mechanical			
Camera Angle Adjustment	Pan	-45° ~ 45°	
	Tilt	0° ~ 63°	
Connectors	Power	2-pin terminal block, PoE	
	Ethernet	Ethernet (10/100 Base-T), RJ-45 cable	
	Audio	1 In (built-in microphone)	
LED Indicator		4 LEDs: Link, ACT, Power, Status	



General	
Environment Temperature	0 °C ~ 45 °C (32 °F ~ 113 °F)
Humidity	10% to 90% (no condensation)
Power Source	12V DC/PoE (IEEE 802.3af)
Max. Power Consumption	5.8 W
Dimension	ø 100 x 60 mm (3.9" x 2.4")
Weight	148 g (0.33 lb)
Regulatory	CE, FCC, RCM, RoHS compliant
Power over Ethernet	
PoE Standard	IEEE 802.3af Power over Ethernet / PD
PoE Power Supply Type	End-Span
PoE Power Output	Per Port 48V DC, 350mA. Max. 15.4 watts
Web Interface	
Installation Management	Web-based configuration
Maintenance	Firmware upgrade through Web Browser or Utility
Access from Web Browser	Camera Live View, Video Recording, Change Video Quality, Bandwidth Control, Image Snapshot, Audio, Picture in Picture, Picture and Picture, Privacy Mask, Text Overlay, Digital PTZ
Language	Arabic / Bulgarian / Czech / Danish / Dutch / English / Finnish / French / German / Greek / Hebrew / Hungarian / Indonesian / Italian / Japanese / Lithuanian / Norwegian / Persian / Polish / Portuguese / Romanian / Russian / Serbian / Simplified Chinese / Slovakian / Slovenian / Spanish / Swedish / Thai / Traditional Chinese / Turkish
Applications	
Network Storage	GV-NVR, GV-System, GV-Recording Server
Smart Device Access	GV-Eye for Android smartphone, tablet, iPhone, and iPod Touch GV-Eye HD for iPad
Live Viewing	IE, mobile phone
CMS Server support	GV-Control Center, GV-Center V2, GV-VSM




Note: Specifications are subject to change without prior notice.

Packing List

- | | |
|---------------------------|-------------------------------------|
| 1. Target Mini Fixed Dome | 5. GV-IPCAM H.264 Quick Start Guide |
| 2. Screw x 2 | 6. GV-IPCAM H.264 Software CD |
| 3. Screw Anchor x 2 | 7. GV-NVR Quick Start Guide |
| 4. Focus adjustment clip | 8. GV-NVR Software DVD |

Accessories

Model No./Name	Details
GV-Mount900 Wall Mount Bracket	Dimensions: 154 x 108 x 50 mm (6.1" x 4.3" x 2") Weight: 240 g (0.53 lb)
	
GV-Mount909 Wall Mount Bracket	Dimensions: 170 x 150 x 110 mm (6.7" x 5.9" x 4.3") Weight: 610 g (1.34 lb)
	

Model No./Name	Details
GV-Mount910 Power Box Mount Bracket 	Dimensions: 112 x 98 x 7.5 mm (4.4" x 3.9" x 0.3") Weight: 105 g (0.23 lb)
GV-Mount913 Power Box Mount Bracket 	Dimensions: \varnothing 146 x 7.5 mm (\varnothing 5.7" x 0.3") Weight: 180 g (0.4 lb)
GV-PA191 PoE Adapter 	Weight: 130 g (0.29 lb) Dimensions (H x W x D): 43 x 69 x 40 mm (1.69" x 2.72" x 1.57")
Power Adapter	Power adapters are available in 4 regions: U.S.A., Australia, U.K and Europe.
GV-POE Switch	The GV-POE Switch is designed to provide power along with network connection for IP devices. The GV-POE Switch is available in various models with different numbers and types of ports.